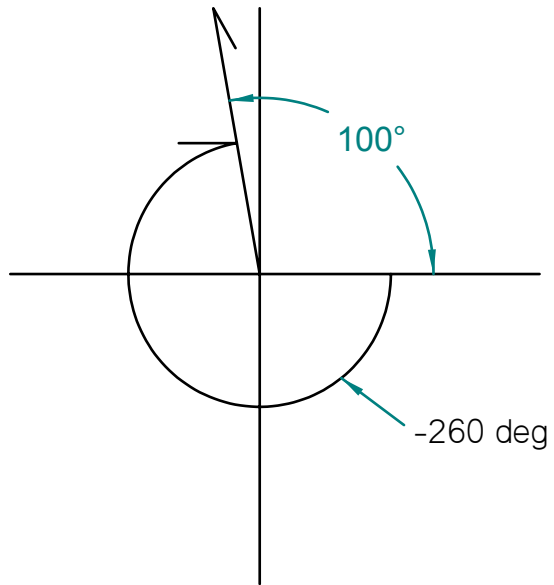


Prob 58

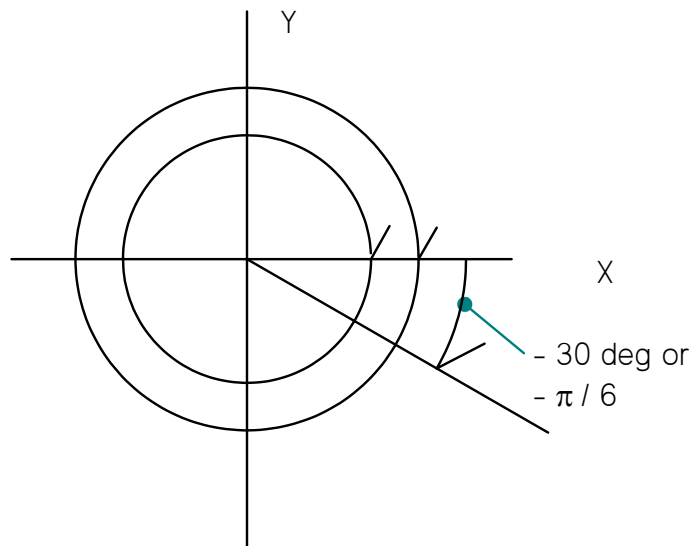
$$\theta := -260 \cdot \text{deg}$$

2nd Quadrant



Prob 62 $\theta := -750 \cdot \text{deg}$

$$2 \cdot (-360) \cdot \text{deg} = -720 \cdot \text{deg}$$



Prob 74 a) $\theta_{\text{neg}} := -135 \cdot \text{deg} + \frac{-36 \cdot \text{deg}}{3600}$ $\theta_{\text{neg}} = -135.01 \cdot \text{deg}$ $\theta_{\text{neg}} = -2.356 \cdot \text{rad}$

$\theta_{\text{pos}} := 2 \cdot \pi + \theta_{\text{neg}}$ $\theta_{\text{pos}} = 224.99 \cdot \text{deg}$ $\theta_{\text{pos}} = 3.927 \cdot \text{rad}$

b) $\theta_{\text{neg}} := -408 \cdot \text{deg} + \frac{-16 \cdot \text{deg}}{60} + \frac{-20 \cdot \text{deg}}{3600}$ $\theta_{\text{neg}} = -408.27222 \cdot \text{deg}$

$\theta_{\text{neg}} + 360 \cdot \text{deg} = -48.27222 \cdot \text{deg}$

$\theta_{\text{pos}} := 2 \cdot \pi + 360 \cdot \text{deg} + \theta_{\text{neg}}$ $\theta_{\text{pos}} = 5.441 \cdot \text{rad}$ $\theta_{\text{pos}} = 311.728 \cdot \text{deg}$

prob 78 a) $\psi := -0.355 \cdot \text{deg}$ $-0.355 \cdot 60 = -21.3 \text{ (min)}$

$\psi = 0 \text{ deg, } -21 \text{ min, } -18 \text{ sec}$ $-0.3 \cdot 60 = -18 \text{ (sec)}$

b) $\psi := 0.7865 \cdot \text{deg}$ $0.7865 \cdot 60 = 47.19 \text{ (min)}$

$\psi = 0 \text{ deg, } 47 \text{ min, } 11.4 \text{ sec}$ $0.19 \cdot 60 = 11.4 \text{ (sec)}$